

ACROBAT 1" LED DOWNLIGHT

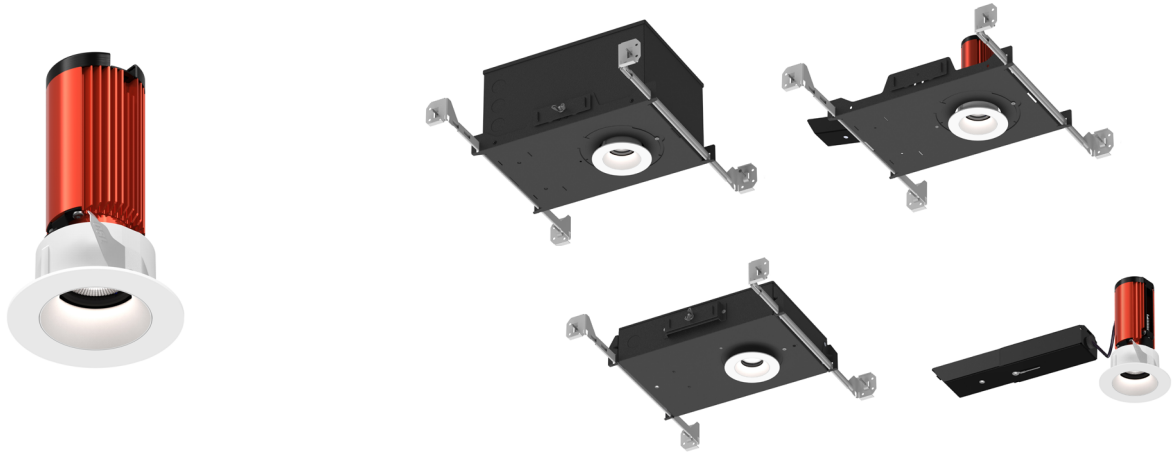
PROJECT: _____

TYPE: _____

NOTE: _____

SPEC-00274 ACROBAT 2.0, 1", V-6.2, UPDATED 01/22/2024

A1-IC, A1-NC, A1-RM
A1-SIC, A1-SNC



SILENT VU™ OPTICS TECHNOLOGY

OPTICS	10°, 30°, 50°, 80° Field Changeable
ADJUSTABLE	0° to 30° tilt (Adjustable housings only)
MEDIA	Clear, Solite, Frosted, Linear Spread, Hex Louver

POWER SUPPLY

INPUT VOLTAGE	120-277V, 50/60Hz
DIMMING	Multiple dimming drivers available
SERVICEABILITY	Below Ceiling Access (Above ceiling access required when using L3, EL1, EL2, DMX drivers)

LED LIGHT ENGINE

RATED WATTAGE	10W or 15W
DELIVERED LUMENS	Up to 1197 lm @ 4000K
EFFICACY	Up to 81.5 LPW @ 4000K
CCT @ 90CRI	2700K, 3000K, 3500K, 4000K, Warm Dim
COLOR QUALITY	90+ CRI, 2-Step SDCM
LED LIFETIME	55,000 hours @ L90

TRIM OPTIONS

- Fixed or Adjustable
- Round or Square
- Standard or Trimless
- Pinhole, Slot Pinhole
- Wet Location

TRIM COLORS

- White
- Black
- Custom Color
- Champagne
- Satin Aluminum

REFLECTOR COLORS

- White
- Black
- Clear Alzak
- Champagne
- Satin Aluminum
- Custom Color

DELIVERED LUMENS MATRIX

		10° Optic	30° Optic	50° Optic	80° Optic
10 Watt	2700K (90CRI)	683 lm	729 lm	652 lm	606 lm
	3000K (90CRI)	724 lm	772 lm	691 lm	643 lm
	3500K (90CRI)	765 lm	816 lm	730 lm	679 lm
	4000K (90CRI)	786 lm	839 lm	751 lm	698 lm
	Warm Dim (98CRI)	492 lm	526 lm	472 lm	359 lm
15 Watt	2700K (90CRI)	975 lm	1040 lm	931 lm	865 lm
	3000K (90CRI)	1033 lm	1102 lm	986 lm	917 lm
	3500K (90CRI)	1091 lm	1164 lm	1041 lm	968 lm
	4000K (90CRI)	1122 lm	1197 lm	1071 lm	996 lm
	Warm Dim (98CRI)	763 lm	815 lm	732 lm	557 lm

HOUSING INSTALLATION

- New Construction includes (2) galvanized steel adjustable hanger bars
- Remodel option available
- 5/8" – 2" ceiling thickness
- Min Plenum Height: 21/2" Shallow, 51/2" Adjustable
- Ceiling Material: Drywall, T-bar grid
- Steel junction box with up to (6) 1/2" knockouts
- IC, SIC models are Air Tight
- IC, SIC models are CCEA (Chicago Plenum)
(Note: polycell spray-in foam insulation must be kept 3" from housing)

LISTINGS AND WARRANTY

cULus Listed for 40°C Ambient	ASTM E283 Certified Airtight for IC Rated Housings
UL Listed for Damp Location (All Styles)	UL Listed for Wet Location (Wet Location Trim Style)
IC Rated and Non IC Rated Available	CCEA (Chicago Plenum) Approved for IC Rated Housings
Five (5) years limited warranty	CA Title 24-JA8 Compliant



ORDER MATRIX

A1-IC, A1-NC, A1-RM

1" NEW CONSTRUCTION / REMODEL HOUSING (EXAMPLE: A1-IC-RST-10S-SHB)

HOUSING BASE				
FAMILY APERTURE	INSTALLATION TYPE		TRIM SHAPE	TRIM STYLE
A1- Acrobat 1"	IC	(Adjustable New Construction, IC, CCEA)	-R (Round)	ST (Standard)
	NC	(Adjustable New Construction)	-S (Square)	TL (Trimless)
	RM	(Adjustable Remodel)		
DRIVER ASSEMBLY				
WATTAGE	LED DIMMING DRIVER		HANGER BAR	WARM DIM
-10 (10 Watt)	S⁵	(Universal Dim Driver: 1%-100% 0-10V, TRIAC, ELV, 120V/277V)	-SHB (Standard)	(blank) (Standard)
-15¹ (15 Watt)	L3^{2,3,4}	(Lutron Hi-Lume [®] Dim Driver: 1%-100% EcoSystem, 120V/277V)	-C24 (24" C-Channel)	-WD⁶ (Warm Dim)
	EL1^{2,3}	(EldoLED DALI Dim: 1%-100% DALI, 120V/277V)	-C48 (48" C-Channel)	
	EL2^{2,3}	(EldoLED Dim: 1%-100% 0-10V, 120V/277V)		
	DMX^{2,3}	(DMX Dim: 1%-100% DMX, 120V/277V)		
	REMOTE LED DIMMING DRIVER		Hanger bars not included with RM housings.	
	SR1⁵	(Remote Universal Dim: 1%-100% 0-10V, TRIAC, or ELV, 120V/277V)		

1. 15 Watt option only available for NC (Adjustable New Construction), RM (Adjustable Remodel) housings.

2. Driver access above ceiling only.

3. Driver only available for IC and NC housings.

4. Ambient temperature rated for 25 C.

5. TRIAC, ELV dimming for 120V only.

6. WD CCT must also be selected in Module section.

1" NEW CONSTRUCTION / REMODEL TRIM (EXAMPLE: A1-2790-RSTWT-STWTNL-30)

FAMILY APERTURE	LED PERFORMANCE		TRIM		
	CCT	CRI	TRIM SHAPE	TRIM STYLE	TRIM FINISH
A1- Acrobat 1"	27 (2700K)	90 (90 CRI)	-R (Round)	ST (Standard)	TL (Trimless)
	30 (3000K)		-S (Square)	TL (Trimless)	
	35 (3500K)				WT (White)
	40 (4000K)				BK (Black)
	WD⁵ (1800K~3000K)				CN (Champagne)
					SA (Satin Aluminum)
					CC¹ (Custom Color)
REFLECTOR			OPTIC AND MEDIA		
REFLECTOR STYLE	REFLECTOR FINISH	REFLECTOR LENS	OPTIC	MEDIA 1	MEDIA 2
-ST² (Standard)	WT (White)	NL (No Lens)	-10 (10° Spot)	(blank) (None)	(blank) (None)
-PH² (Pinhole)	BK (Black)	CL (Clear)	-30 (30° Narrow Flood)	CL (Clear Lens)	CL (Clear Lens)
-SP² (Slot Pinhole)	CA³ (Clear Alzak)	MP (Solite)	-50 (50° Flood)	MP (Solite Lens)	MP (Solite Lens)
-SW⁶ (Wall Wash)	CN (Champagne)	FR (Frosted)	-80 (80° Wide Flood)	FR (Frosted Lens)	FR (Frosted Lens)
	SA (Satin Aluminum)			LS (Linear Spread Lens)	LS (Linear Spread Lens)
	CC¹ (Custom Color)			HX⁴ (Hex Louver)	

1. Custom color only available for ST (Standard) Trim and ST (Standard) Reflector only, contact CSL for details.

2. Wet Location rated when used with Reflector Lens.

3. CA (Clear Alzak) Finish only available for R (Round), ST (Standard) Reflector.

4. Cannot be used with a second Media.

5. Media 1 lens required. For WD with 10°, 30°, 50° Optic use MP (Solite Lens). For WD with 80° Optic use FR (Frosted Lens).

6. A Reflector Lens cannot be added with Wall Wash selection.

ORDER MATRIX

A1-SIC, A1-SNC

1" SHALLOW PLENUM NEW CONSTRUCTION HOUSING (EXAMPLE: A1-SIC-RST-02790-30-10S-SHB)

HOUSING BASE					
FAMILY APERTURE	INSTALLATION TYPE			TRIM SHAPE	TRIM STYLE
A1- Acrobat 1"	SIC (Shallow Plenum New Construction, IC, CCEA)			-R (Round)	ST (Standard)
	SNC (Shallow Plenum New Construction)			-S (Square)	TL (Trimless)
CEILING		LED PERFORMANCE		OPTIC AND MEDIA	
CEILING THICKNESS	CCT	CRI	OPTIC	MEDIA 1	MEDIA 2
-0 (5/8" Ceiling Thickness)	27 (2700K)	90 (90 CRI)	-10 (10° Spot)	(blank) (None)	(blank) (None)
-1 (1 1/4" Ceiling Thickness)	30 (3000K)		-30 (30° Narrow Flood)	CL (Clear Lens)	CL (Clear Lens)
-2 (2" Ceiling Thickness)	35 (3500K)		-50 (50° Flood)	MP (Solite Lens)	MP (Solite Lens)
	40 (4000K)		-80 (80° Wide Flood)	FR (Frosted Lens)	FR (Frosted Lens)
	WD³ (1800K~3000K)			LS (Linear Spread Lens)	LS (Linear Spread Lens)
			HX¹ (Hex Louver)		
DRIVER ASSEMBLY					
WATTAGE	LED DIMMING DRIVER		HANGER BAR		
-10 (10 Watt)	S⁴ (Universal Dim Driver: 1%-100% 0-10V, TRIAC, ELV, 120V/277V)		-SHB (Standard)		
	-15² (15 Watt)	REMOTE LED DIMMING DRIVER		-C24 (24" C-Channel)	
SR1⁴ (Remote Universal Dim: 1%-100% 0-10V, TRIAC, or ELV, 120V/277V)		-C48 (48" C-Channel)			

1. Cannot be used with a second media.

2. 15 Watt option only available for SNC (Shallow Plenum New Construction) only.

3. Media 1 lens required. For WD with 10°, 30°, 50° Optic use MP (Solite Lens). For WD with 80° Optic use FR (Frosted Lens).

4. TRIAC, ELV dimming for 120V only.

1" SHALLOW PLENUM NEW CONSTRUCTION TRIM (EXAMPLE: A1-RSTWT-STWT-NL)

TRIM				REFLECTOR		
FAMILY APERTURE	TRIM SHAPE	TRIM STYLE	TRIM FINISH	REFLECTOR STYLE	REFLECTOR FINISH	REFLECTOR LENS
A1- Acrobat 1"	R (Round)	ST (Standard)	TL (Trimless)	-ST² (Standard)	WT (White)	-NL (No Lens)
		TL (Trimless)	WT (White/)	-PH² (Pinhole)	BK (Black)	-CL (Clear)
	S (Square)		BK (Black)	-SP² (Slot Pinhole)	CA³ (Clear Alzak)	-MP (Solite)
			CN (Champagne)	-SW⁴ (Wall Wash)	CN (Champagne)	-FR (Frosted)
			SA (Satin Aluminum)		SA (Satin Aluminum)	
			CC¹ (Custom Color)		CC¹ (Custom Color)	

1. Custom color only available for ST (Standard) Trim and ST (Standard) Reflector only, contact CSL for details.

2. Wet Location rated when used with Reflector Lens.

3. CA (Clear Alzak) Finish only available for R (Round), ST (Standard) Reflector.

4. A Reflector Lens cannot be added with Wall Wash selection.

EMERGENCY OPTIONS

EM-1000 (25W Remote Inverter)

EM-1003-CA (35W Remote Inverter) Title 20

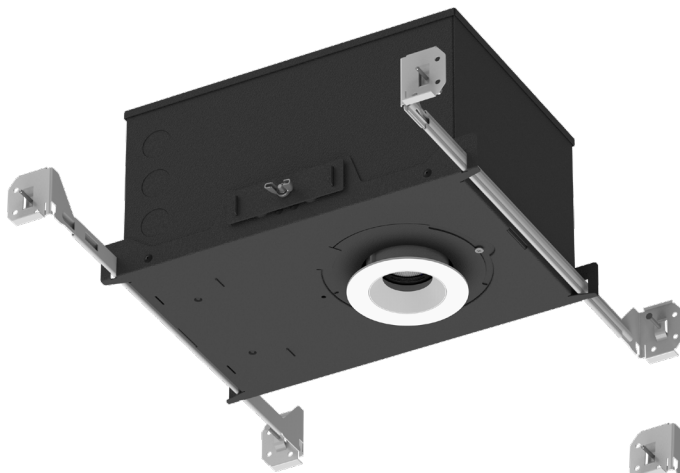
EM-1006 (25W Remote Inverter) Title 20

EM-1002 (10W Remote EM Driver)

EM-1004 (50W Remote Inverter)

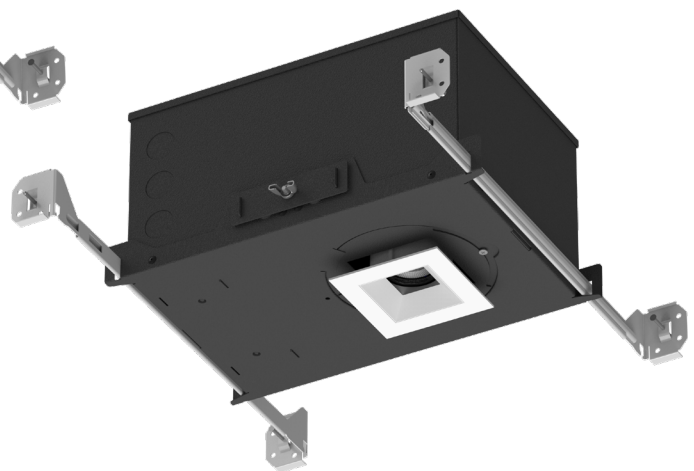
HOUSING AND LIGHT ENGINE LINE DRAWINGS

A1-IC
New Construction IC Housing



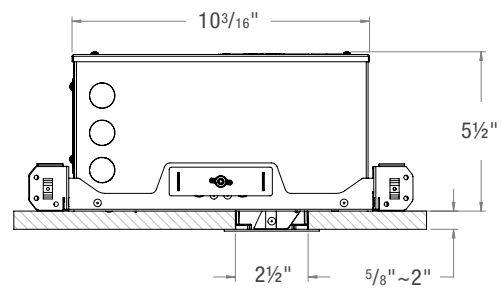
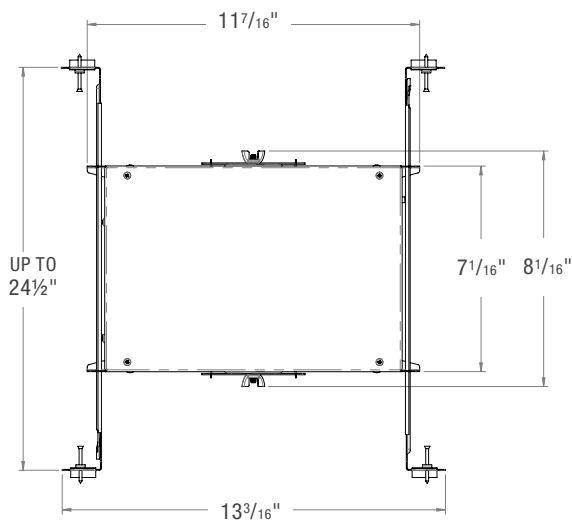
A1-IC-R

Acrobat 1" - Adjustable New Construction IC Housing - Round
with Round Trim



A1-IC-S

Acrobat 1" - Adjustable New Construction IC Housing - Square
with Square Trim





ACROBAT
DOWNLIGHTS

**ACROBAT
1" LED DOWNLIGHT**

A1-IC, A1-NC, A1-RM
A1-SIC, A1-SNC

PROJECT: _____

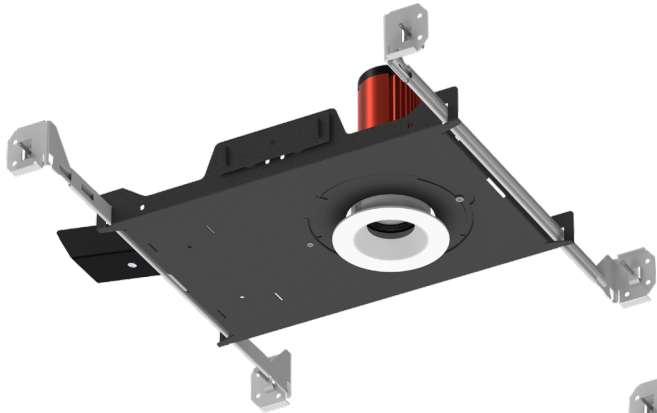
TYPE: _____

NOTE: _____

SPEC-00274 ACROBAT 2.0, 1", V-6.2, UPDATED 01/22/2024

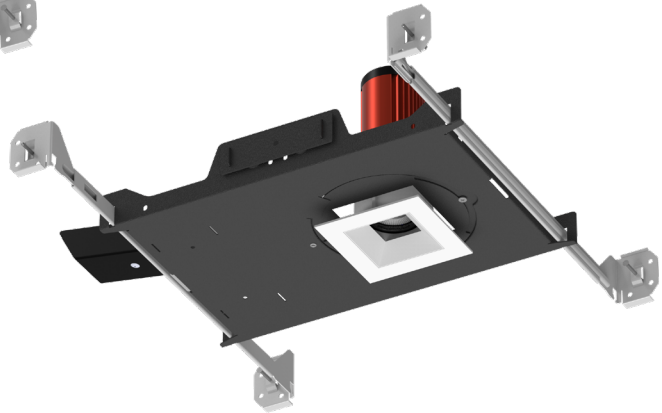
HOUSING AND LIGHT ENGINE LINE DRAWINGS

A1-NC
New Construction Housing



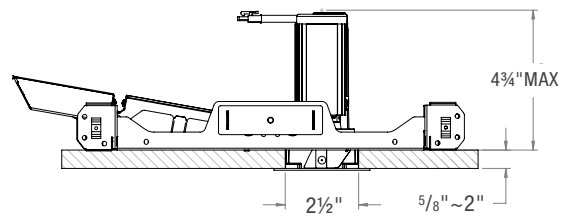
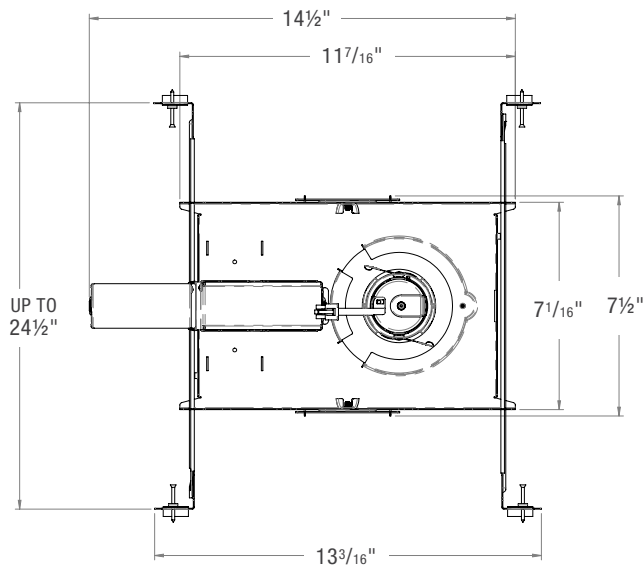
A1-NC-R

Acrobat 1" - Adjustable New Construction Housing - Round
with Round Trim



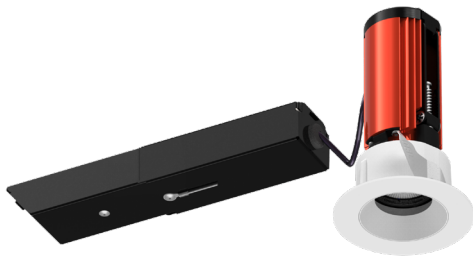
A1-NC-S

Acrobat 1" - Adjustable New Construction Housing - Square
with Square Trim



HOUSING AND LIGHT ENGINE LINE DRAWINGS

A1-RM
Remodel Housing



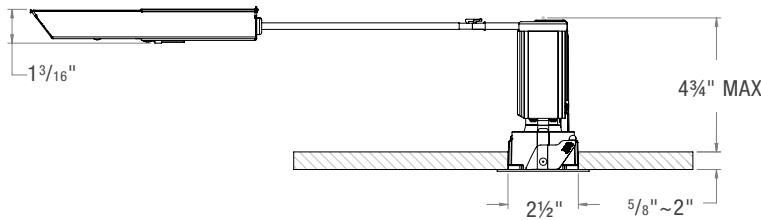
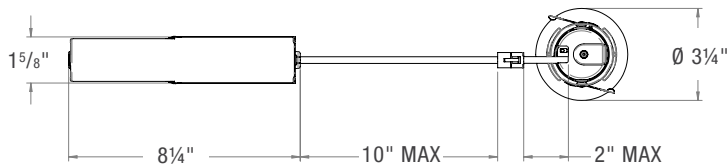
A1-RM-R

Acrobat 1" - Adjustable Remodel Housing - Round
with Round Trim



A1-RM-S

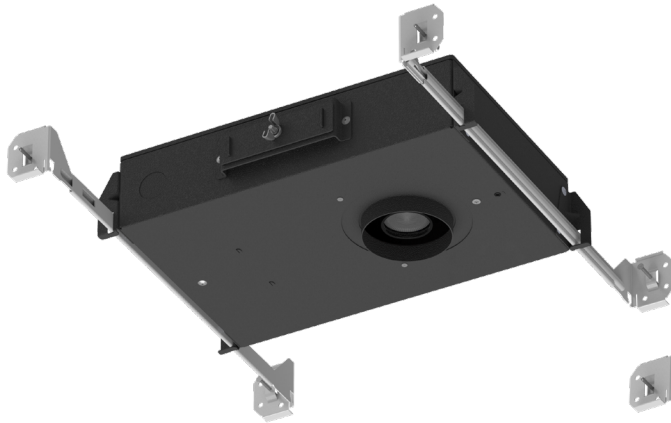
Acrobat 1" - Adjustable Remodel Housing - Square
with Square Trim



HOUSING AND LIGHT ENGINE LINE DRAWINGS

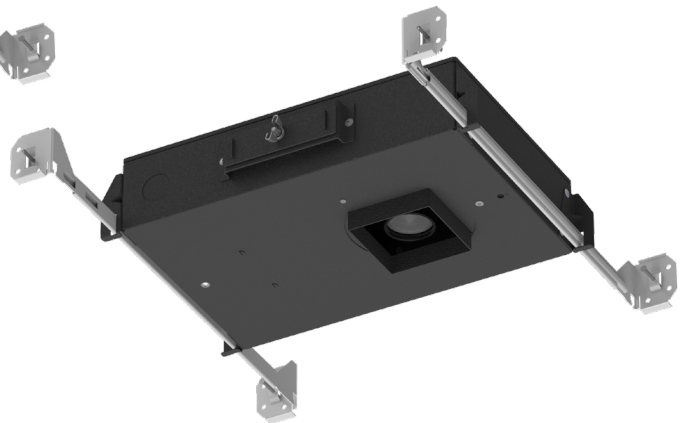
A1-SIC, A1-SNC
Shallow Plenum Housing

CEILING THICKNESS



A1-SIC-R

Acrobat 1" - Shallow Plenum New Construction IC Housing - Round



A1-SNC-R

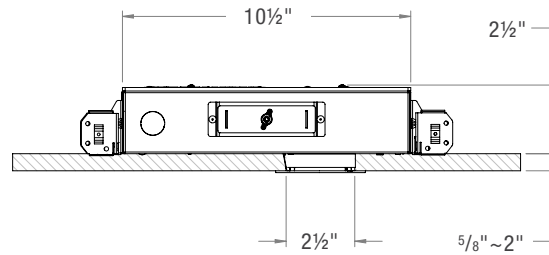
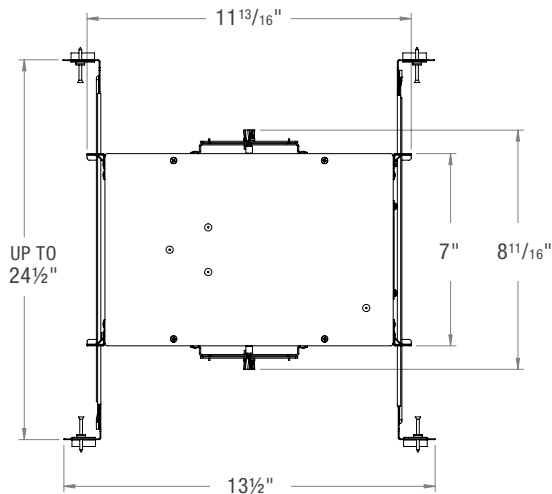
Acrobat 1" - Shallow Plenum New Construction Housing - Round

A1-SIC-S

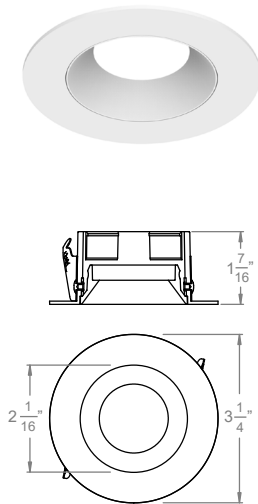
Acrobat 1" - Shallow Plenum New Construction IC Housing - Square

A1-SNC-S

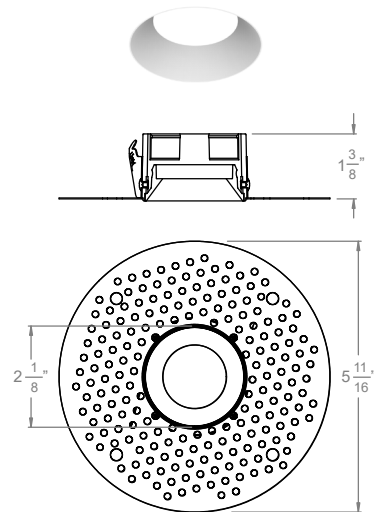
Acrobat 1" - Shallow Plenum New Construction Housing - Square



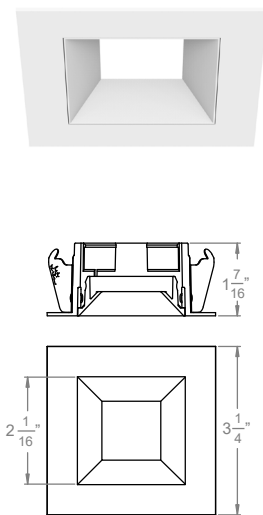
TRIM STYLES



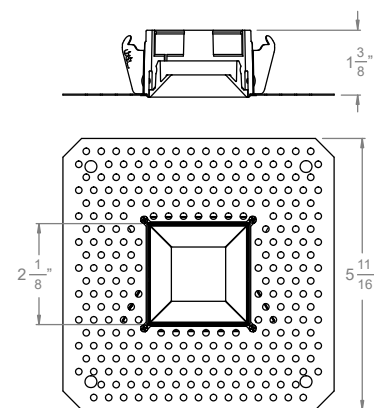
RST
1" Acrobat Round Standard Trim
(with Standard Reflector)



RTL
1" Acrobat Round Trimless Mud Plate
(with Standard Reflector)

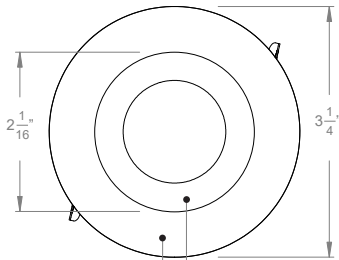
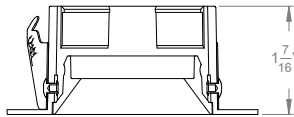
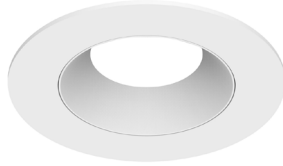


SST
1" Acrobat Square Standard Trim
(with Standard Reflector)



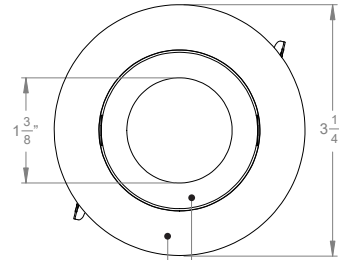
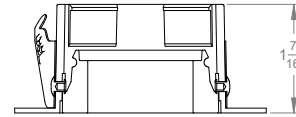
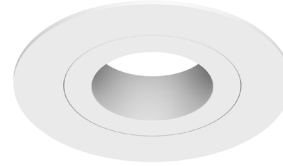
STL
1" Acrobat Square Trimless Mud Plate
(with Standard Reflector)

REFLECTOR STYLE (ROUND)



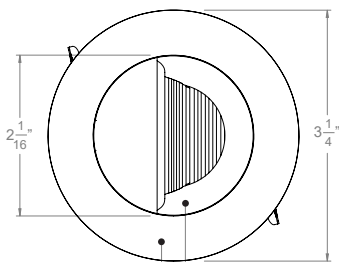
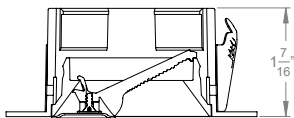
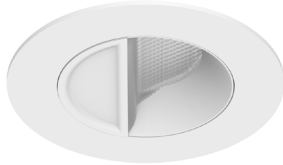
Trim Reflector
RST -ST

1" Acrobat Round Standard Trim
with Standard Reflector



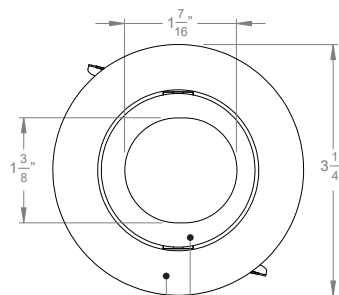
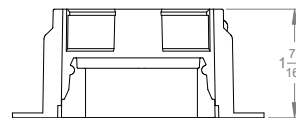
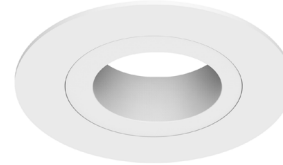
Trim Reflector
RST -PH

1" Acrobat Round Standard Trim
with Pinhole Reflector



Trim Reflector
RST -SW

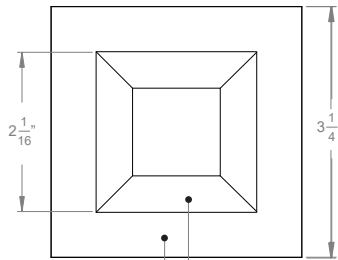
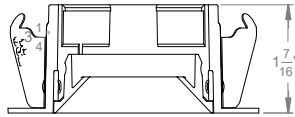
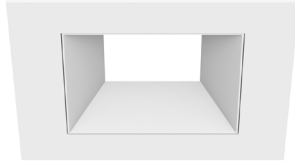
1" Acrobat Round Standard Trim
with Wall Wash Reflector



Trim Reflector
RST -SP

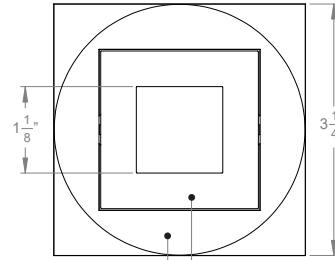
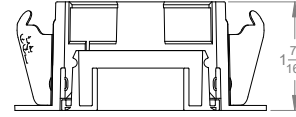
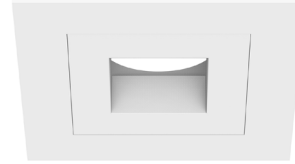
1" Acrobat Round Standard Trim
with Slot Pinhole Reflector

REFLECTOR STYLE (SQUARE)



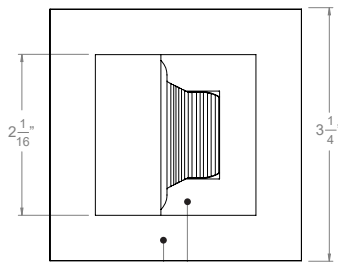
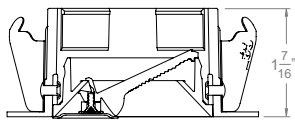
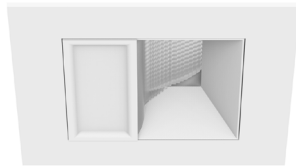
Trim Reflector
SST -ST

1" Acrobot Square Standard Trim
with Standard Reflector



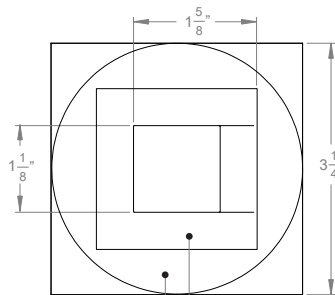
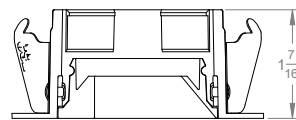
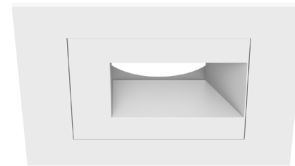
Trim Reflector
SST -PH

1" Acrobot Square Standard Trim
with Pinhole Reflector



Trim Reflector
SST -SW

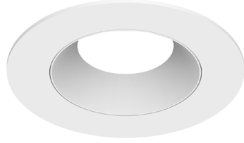
1" Acrobot Square Standard Trim
with Wall Wash Reflector



Trim Reflector
SST -SP

1" Acrobot Square Standard Trim
with Slot Pinhole Reflector

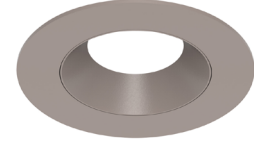
TRIM FINISHES



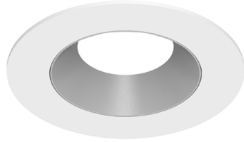
RSTWT-STWT
WT White Trim
WT White Reflector



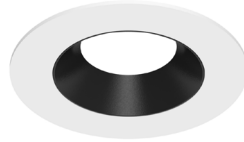
RSTBK-STBK
BK Black Trim
BK Black Reflector



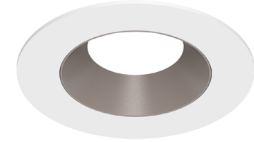
RSTCN-STCN
CN Champagne Trim
CN Champagne Reflector



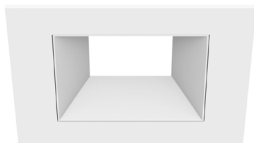
RSTWT-STSA
WT White Trim
SA Silver Reflector



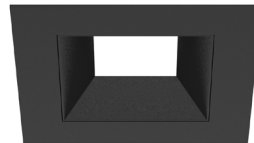
RSTWT-STBK
WT White Trim
BK Black Reflector



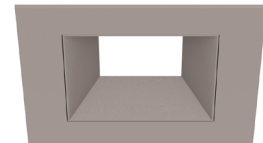
RSTWT-STCN
WT White Trim
CN Champagne Reflector



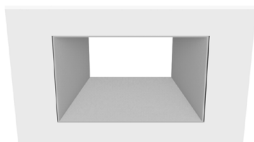
SSTWT-STWT
WT White Trim
WT White Reflector



SSTBK-STBK
BK Black Trim
BK Black Reflector



SSTCN-STCN
CN Champagne Trim
CN Champagne Reflector



SSTWT-STSA
WT White Trim
SA Silver Reflector



SSTWT-STBK
WT White Trim
BK Black Reflector

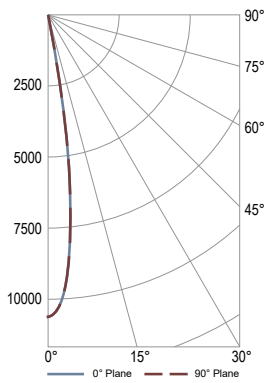


SSTWT-STCN
WT White Trim
CN Champagne Reflector

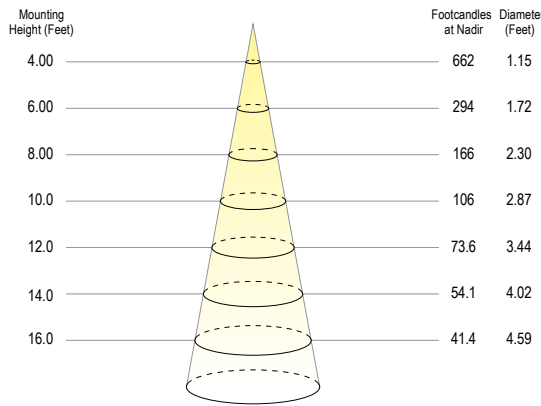
PHOTOMETRICS

Acrobat Downlight 1" NC, RM Models (2700K, 90 CRI, 10° Optic, 15W)
Round, Standard, White Trim

Polar Plot



Cone of Light Tabulation



Voltage	Current	Power
120.1 VAC	0.1490 A	17.60 W

Power Factor	Frequency	Current THD
0.984	60 Hz	16.1%

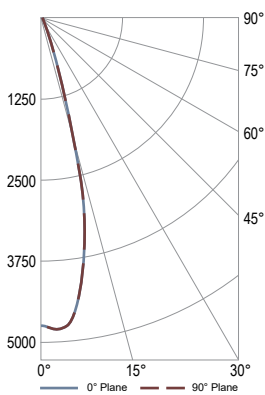
Summary of Results

Spacing Criteria 0-180: 0.29
90-270: 0.29
Total Lumen Output: 975 Lumens
Luminaire Efficacy: 55.4 lm/w
Maximum Candela: 10596 Candela

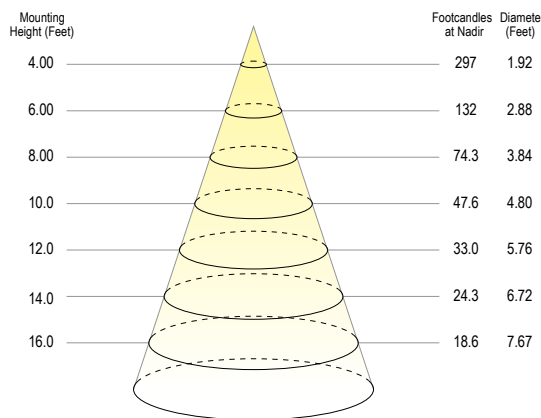
Zone	Lumens	% of Luminaire
0-40	968	99.3%
0-60	973	99.8%
0-90	975	100.0%

Acrobat Downlight 1" NC, RM Models (2700K, 90 CRI, 30° Optic, 15W)
Round, Standard, White Trim

Polar Plot



Cone of Light Tabulation



Voltage	Current	Power
120.1 VAC	0.1490 A	17.60 W

Power Factor	Frequency	Current THD
0.984	60 Hz	16.1%

Summary of Results

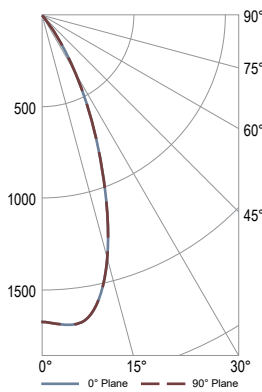
Spacing Criteria 0-180: 0.48
90-270: 0.48
Total Lumen Output: 1040 Lumens
Luminaire Efficacy: 59.1 lm/w
Maximum Candela: 4979 Candela

Zone	Lumens	% of Luminaire
0-40	1035	99.0%
0-60	1040	100.0%
0-90	1040	100.0%

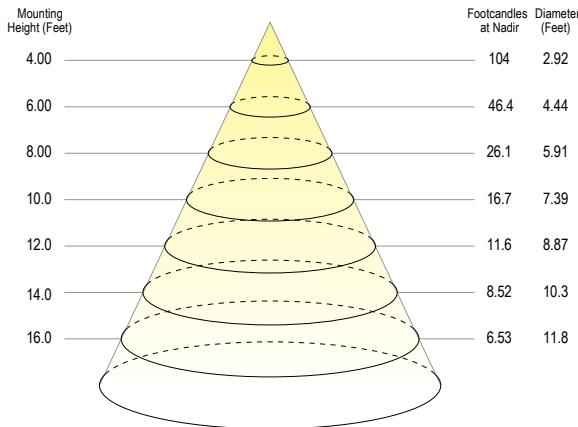
PHOTOMETRICS

Acrobat Downlight 1" NC, RM Models (2700K, 90 CRI, 50° Optic, 15W)
Round, Standard, White Trim

Polar Plot



Cone of Light Tabulation



Voltage	Current	Power
120.1 VAC	0.1494 A	17.65 W

Power Factor	Frequency	Current THD
0.984	60 Hz	16.1%

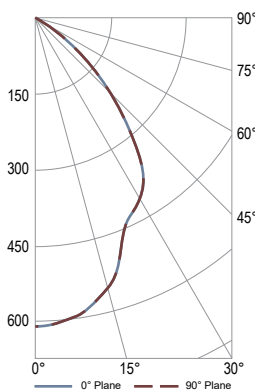
Summary of Results

Spacing Criteria 0-180: 0.74
90-270: 0.74
Total Lumen Output: 931 Lumens
Luminaire Efficacy: 52.7 lm/w
Maximum Candela: 1688 Candela

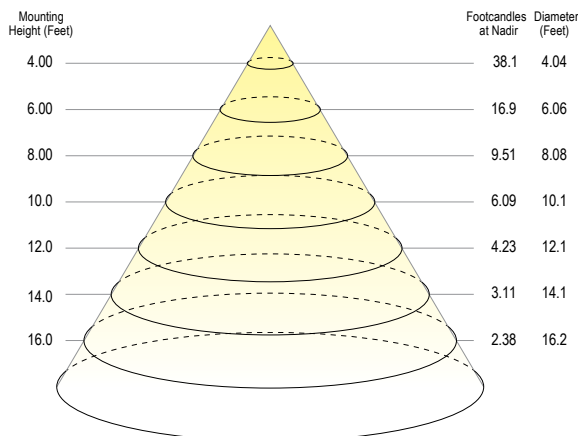
Zone	Lumens	% of Luminaire
0-40	916	98.4%
0-60	929	99.8%
0-90	931	100.0%

Acrobat Downlight 1" NC, RM Models (2700K, 90 CRI, 80° Optic, 15W)
Round, Standard, White Trim

Polar Plot



Cone of Light Tabulation



Voltage	Current	Power
120.0 VAC	0.1490 A	17.59 W

Power Factor	Frequency	Current THD
0.984	60 Hz	16.1%

Summary of Results

Spacing Criteria 0-180: 1.01
90-270: 1.01
Total Lumen Output: 865 Lumens
Luminaire Efficacy: 49.2 lm/w
Maximum Candela: 609 Candela

Zone	Lumens	% of Luminaire
0-40	640	73.9%
0-60	859	99.3%
0-90	865	100.0%

DIMMING DRIVER COMPATIBILITY

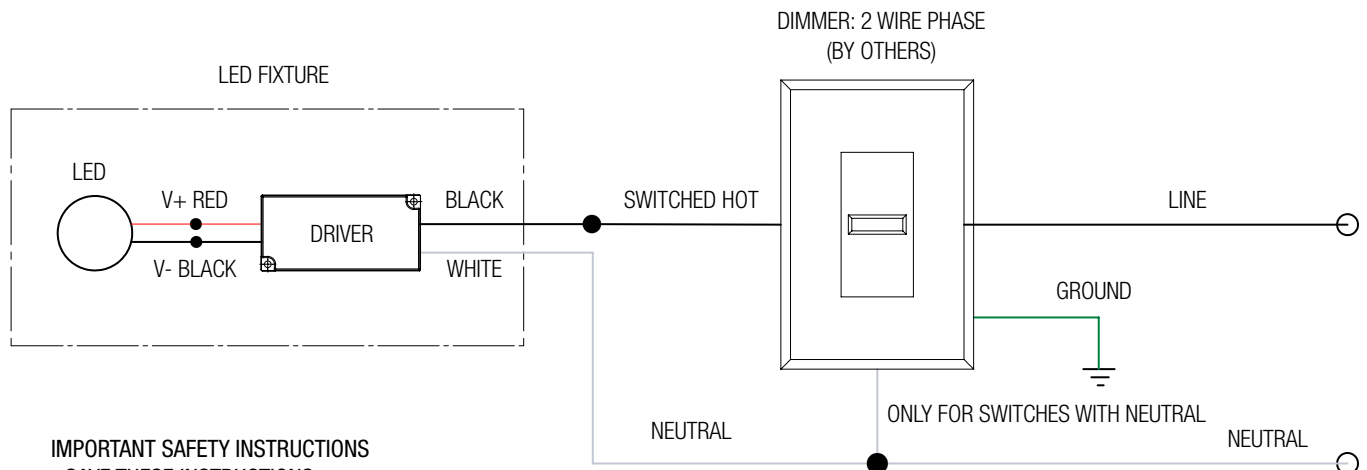
DIMMER LIST

"S" ERP PHASE-CUT DIMMERS			
Dimmer Information			
Manufacturer	Product	Manufacturer	Product
Cooper	DAL06P	Lightolier	ZP260QEW
	DLC03P	Lutron	CT103P
	SLC03P		DV600P
Leviton	6161		DVCL-153P
	6631-2		DVELV303P
	6633-P		FAELV500
	6673-10W		LG600P
	6683-IW		MAELV600
	IPE04		S600P
	IPI06-1LZ		S-603PG
	VPE06		SELV300P
			TG-600P
			TGCL-153P

NOTES:

Wiring diagrams are examples of typical installations intended to illustrate the number of wires that must be run to fixture. These diagrams are not intended to specify all equipment necessary for a given dimming circuit. Refer to specific dimmer manufacturer's documentation for details.

S- ERP DRIVER 2 WIRE PHASE DIMMING



**IMPORTANT SAFETY INSTRUCTIONS
- SAVE THESE INSTRUCTIONS**

1. Keep these instructions in a safe place for future reference.
2. Only qualified electricians in accordance to local codes should install these fixtures.
3. De-energize the electrical circuit at the circuit breaker prior to installation process or servicing.
4. Make sure all connections are in accordance with the National Electrical Code and any local regulations.
5. Cap any wires not used separately (not together).

DIMMING DRIVER COMPATIBILITY

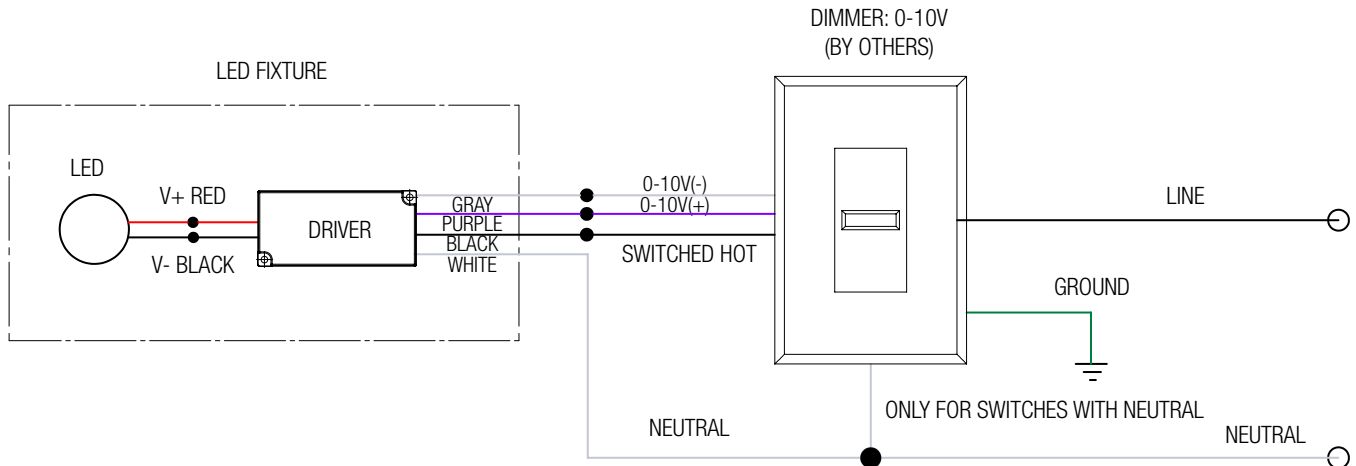
DIMMER LIST

"S" ERP 0-10V	
Dimmer Information	
Manufacturer	Product
Leviton	IP740-DLZ
Lightolier	ZP600FAM120
	V2000FAMU
Lutron	DVTV
	NTFTV
Crestron	CLS-EXP-DIMFLV
	DIN-4DIMFLV4
	DIN-A08
	GLX-DIMFLV8

NOTES:

Wiring diagrams are examples of typical installations intended to illustrate the number of wires that must be run to fixture. These diagrams are not intended to specify all equipment necessary for a given dimming circuit. Refer to specific dimmer manufacturer's documentation for details.

S- ERP DRIVER 0-10V DIMMING



IMPORTANT SAFETY INSTRUCTIONS

- SAVE THESE INSTRUCTIONS

1. Keep these instructions in a safe place for future reference.
2. Only qualified electricians in accordance to local codes should install these fixtures.
3. De-energize the electrical circuit at the circuit breaker prior to installation process or servicing.
4. Make sure all connections are in accordance with the National Electrical Code and any local regulations.
5. Cap any wires not used separately (not together).

DIMMING DRIVER COMPATIBILITY

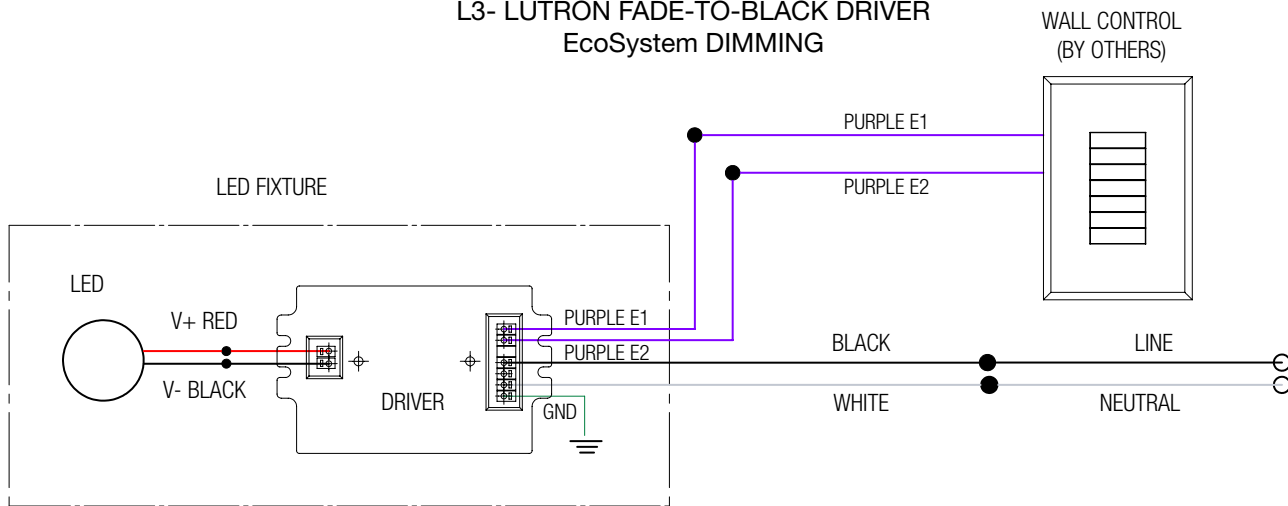
DIMMER LIST

"L3" Lutron Fade-to-Black	
Dimmer Information	
Manufacturer	Product
Lutron	LQSE-2ECO-D
	RMJ-ECO32-DV-B
	FCJ/FCJS-ECO
	QSN-1ECO-S
	QSN-2ECO-S
	EcoSystem ESN
	Grafik Eye QS with EcoSystem
	Quantum

NOTES:

Wiring diagrams are examples of typical installations intended to illustrate the number of wires that must be run to fixture. These diagrams are not intended to specify all equipment necessary for a given dimming circuit. Refer to specific dimmer manufacturer's documentation for details.

L3- LUTRON FADE-TO-BLACK DRIVER EcoSystem DIMMING



IMPORTANT SAFETY INSTRUCTIONS

- SAVE THESE INSTRUCTIONS

1. Keep these instructions in a safe place for future reference.
2. Only qualified electricians in accordance to local codes should install these fixtures.
3. De-energize the electrical circuit at the circuit breaker prior to installation process or servicing.
4. Make sure all connections are in accordance with the National Electrical Code and any local regulations.
5. Cap any wires not used separately (not together).

DIMMING DRIVER COMPATIBILITY

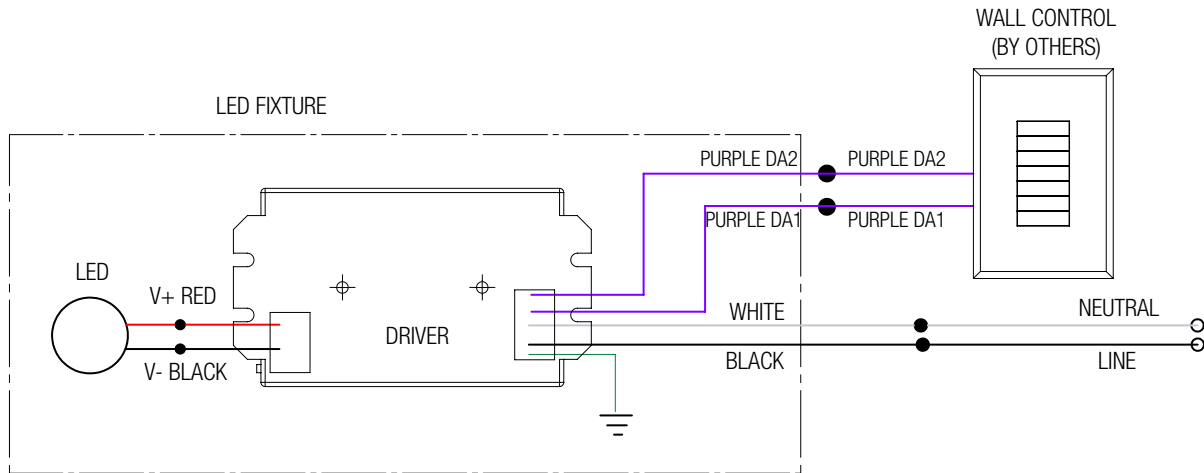
DIMMER LIST

"EL1" eldoLED DALI 1%	
Dimmer Information	
Manufacturer	Product
	DALI Controls

NOTES:

Wiring diagrams are examples of typical installations intended to illustrate the number of wires that must be run to fixture. These diagrams are not intended to specify all equipment necessary for a given dimming circuit. Refer to specific dimmer manufacturer's documentation for details.

EL1- eldoLED DRIVER DALI DIMMING



IMPORTANT SAFETY INSTRUCTIONS

- SAVE THESE INSTRUCTIONS

1. Keep these instructions in a safe place for future reference.
2. Only qualified electricians in accordance to local codes should install these fixtures.
3. De-energize the electrical circuit at the circuit breaker prior to installation process or servicing.
4. Make sure all connections are in accordance with the National Electrical Code and any local regulations.
5. Cap any wires not used separately (not together).

DIMMING DRIVER COMPATIBILITY

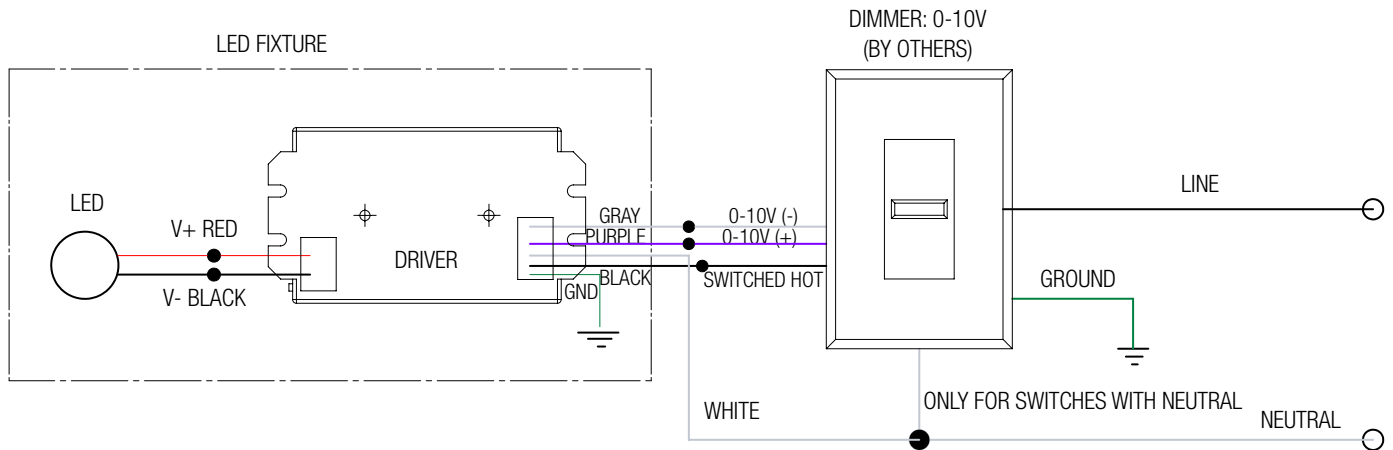
DIMMER LIST

"EL2"eldoLED 0-10V 1%	
Dimmer Information	
Manufacturer	Product
Leviton	IP740-DLX
Lightolier	ZP600FAM120
Lutron	DVTV
	NTFTV
	NFTV
Crestron	CLS-EXP-DIMFLV
	DIN-4DIMFLV4
	DIN-A08
	GLX-DIMFLV8

NOTES:

Wiring diagrams are examples of typical installations intended to illustrate the number of wires that must be run to fixture. These diagrams are not intended to specify all equipment necessary for a given dimming circuit. Refer to specific dimmer manufacturer's documentation for details.

**EL2- eldoLED DRIVER
0-10V DIMMING**



IMPORTANT SAFETY INSTRUCTIONS

- SAVE THESE INSTRUCTIONS

1. Keep these instructions in a safe place for future reference.
2. Only qualified electricians in accordance to local codes should install these fixtures.
3. De-energize the electrical circuit at the circuit breaker prior to installation process or servicing.
4. Make sure all connections are in accordance with the National Electrical Code and any local regulations.
5. Cap any wires not used separately (not together).

DIMMING DRIVER COMPATIBILITY

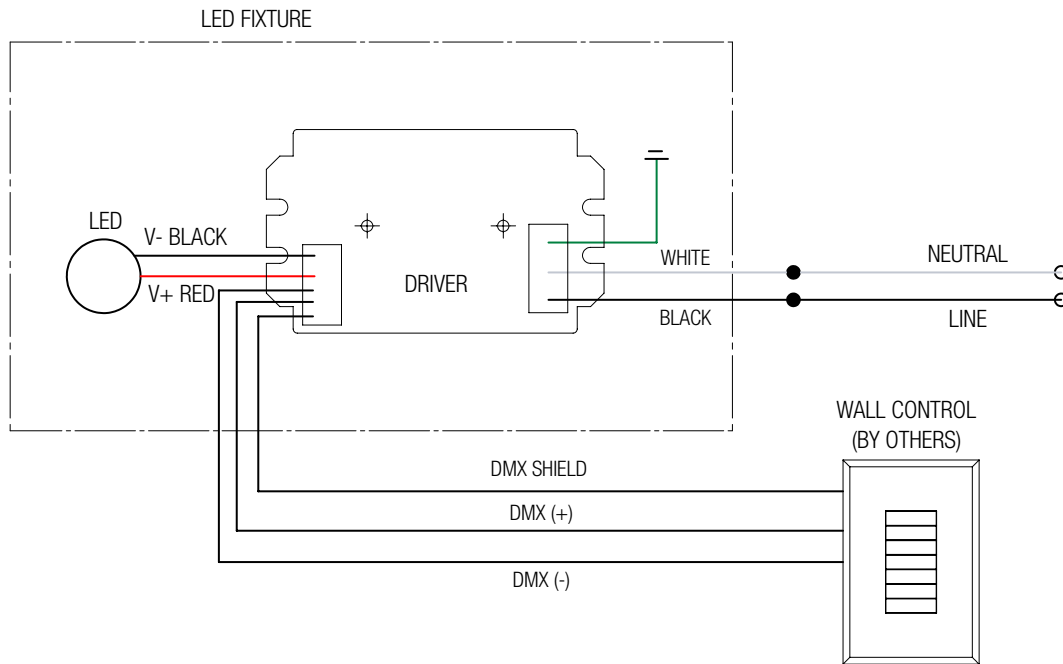
DIMMER LIST

"DMX" Moons	
Dimmer Information	
Manufacturer	Product
	DMX Controls

NOTES:

Wiring diagrams are examples of typical installations intended to illustrate the number of wires that must be run to fixture. These diagrams are not intended to specify all equipment necessary for a given dimming circuit. Refer to specific dimmer manufacturer's documentation for details.

**DMX- MOONS DRIVER
DMX DIMMING**



IMPORTANT SAFETY INSTRUCTIONS

- SAVE THESE INSTRUCTIONS

1. Keep these instructions in a safe place for future reference.
2. Only qualified electricians in accordance to local codes should install these fixtures.
3. De-energize the electrical circuit at the circuit breaker prior to installation process or servicing.
4. Make sure all connections are in accordance with the National Electrical Code and any local regulations.
5. Cap any wires not used separately (not together).